

FIG. 1

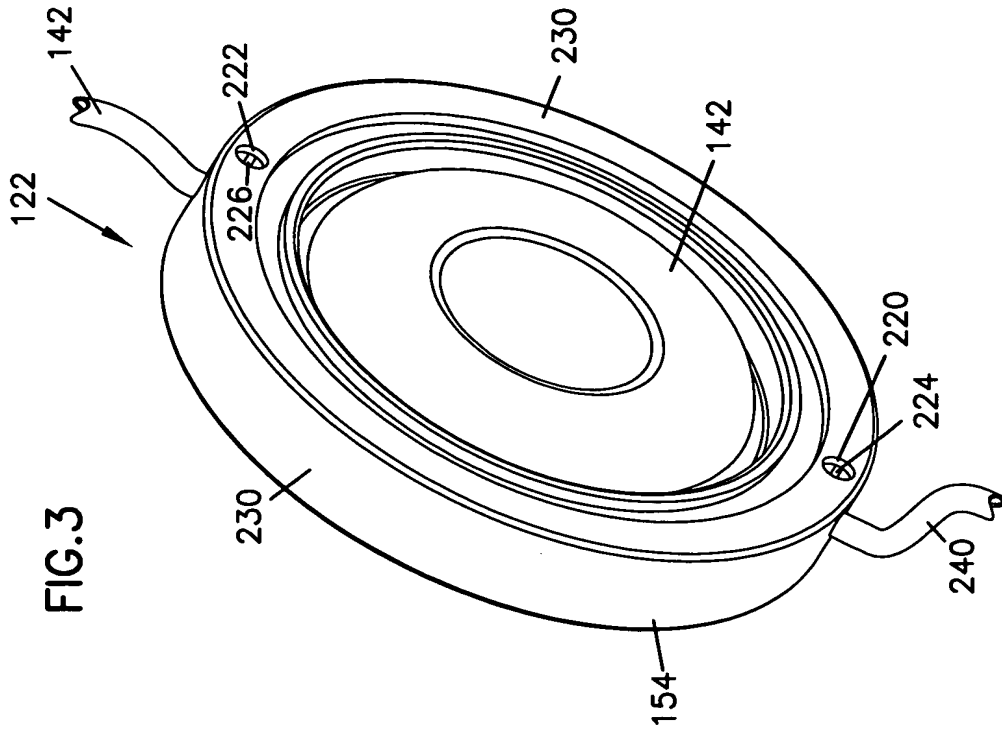


FIG. 3

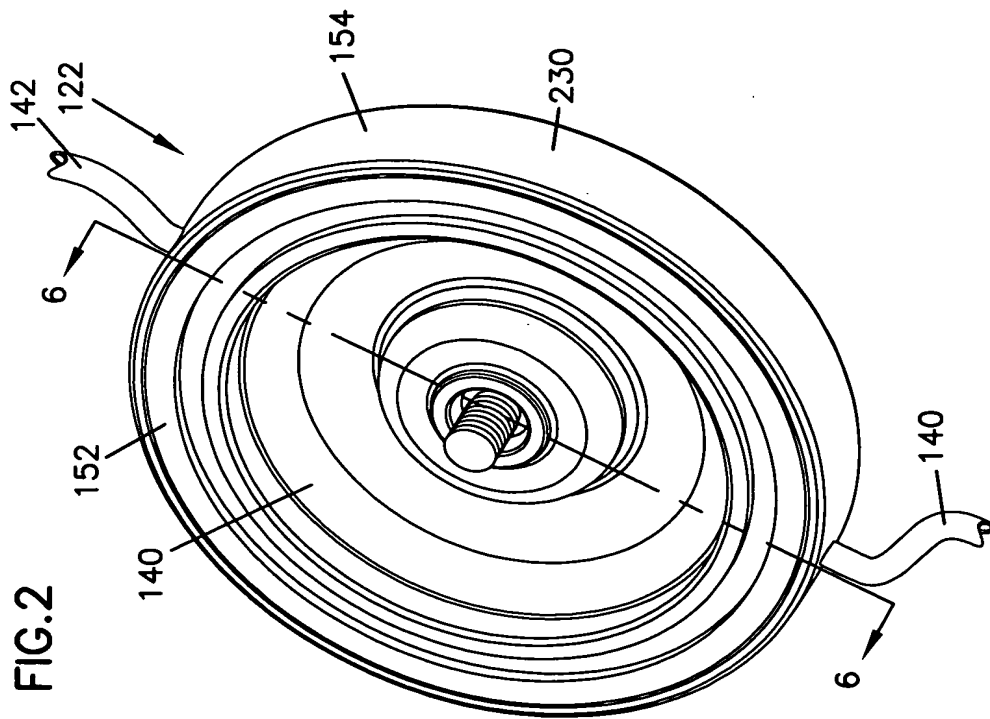


FIG. 2

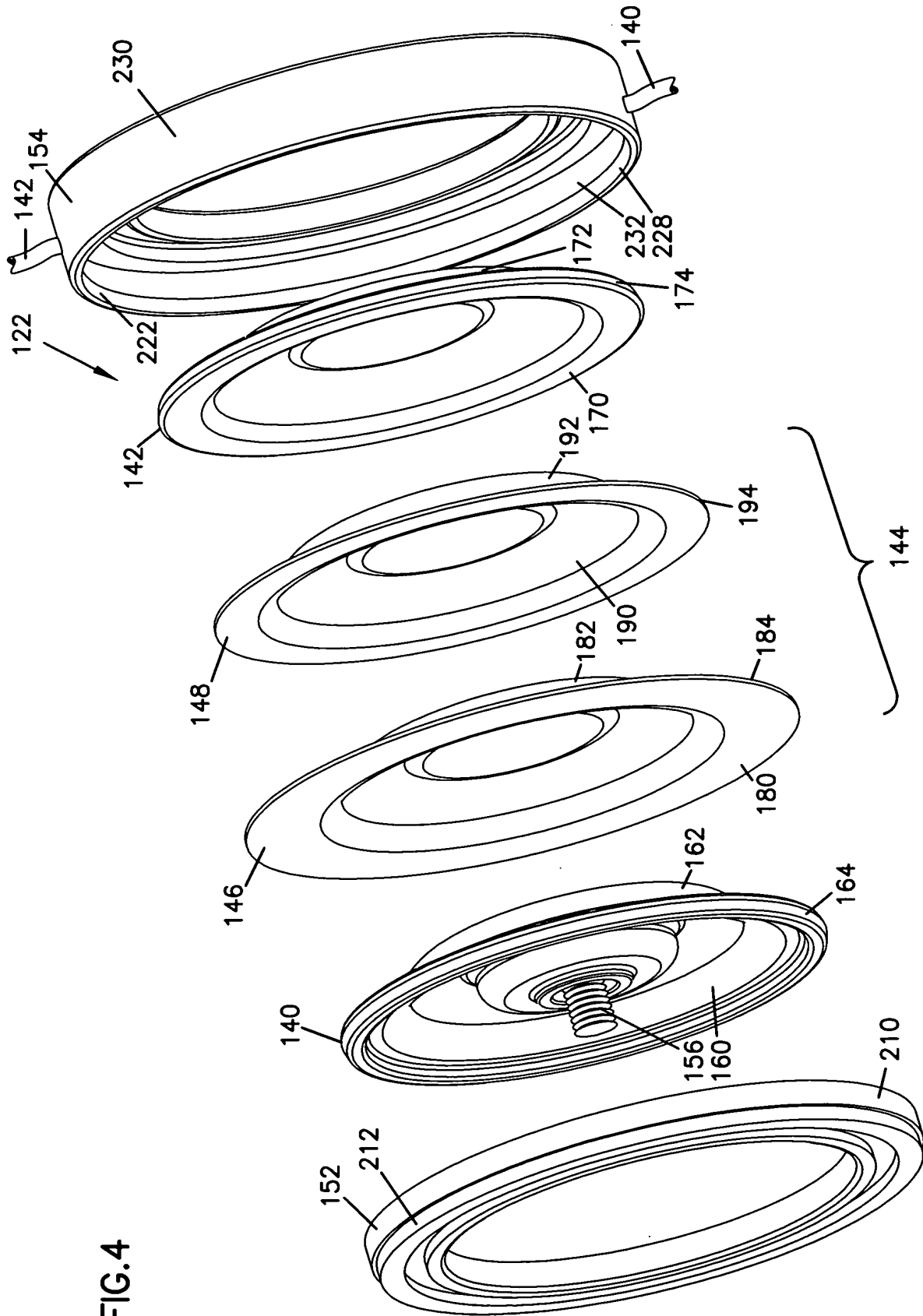


FIG. 4

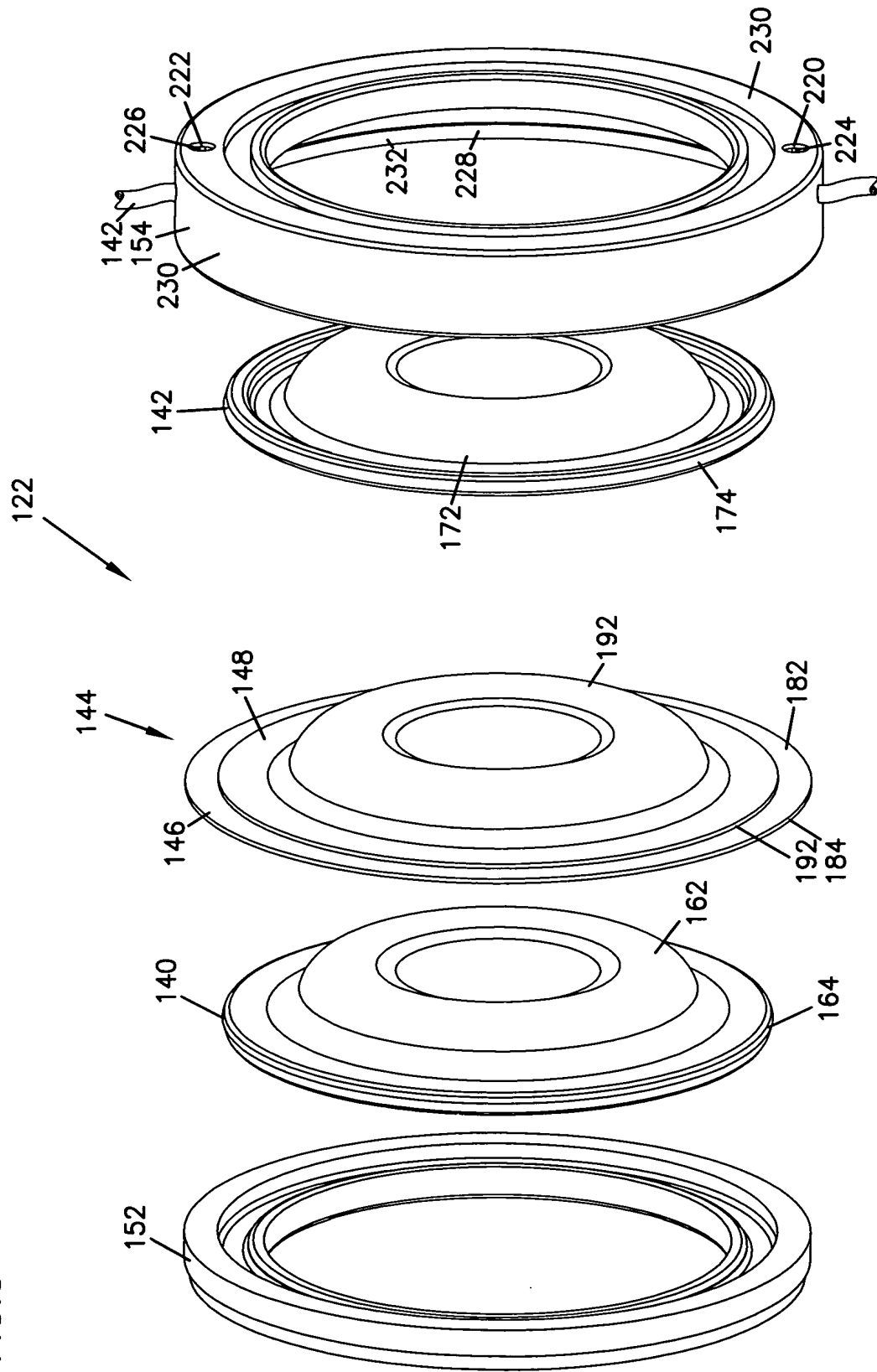


FIG. 5

FIG.6

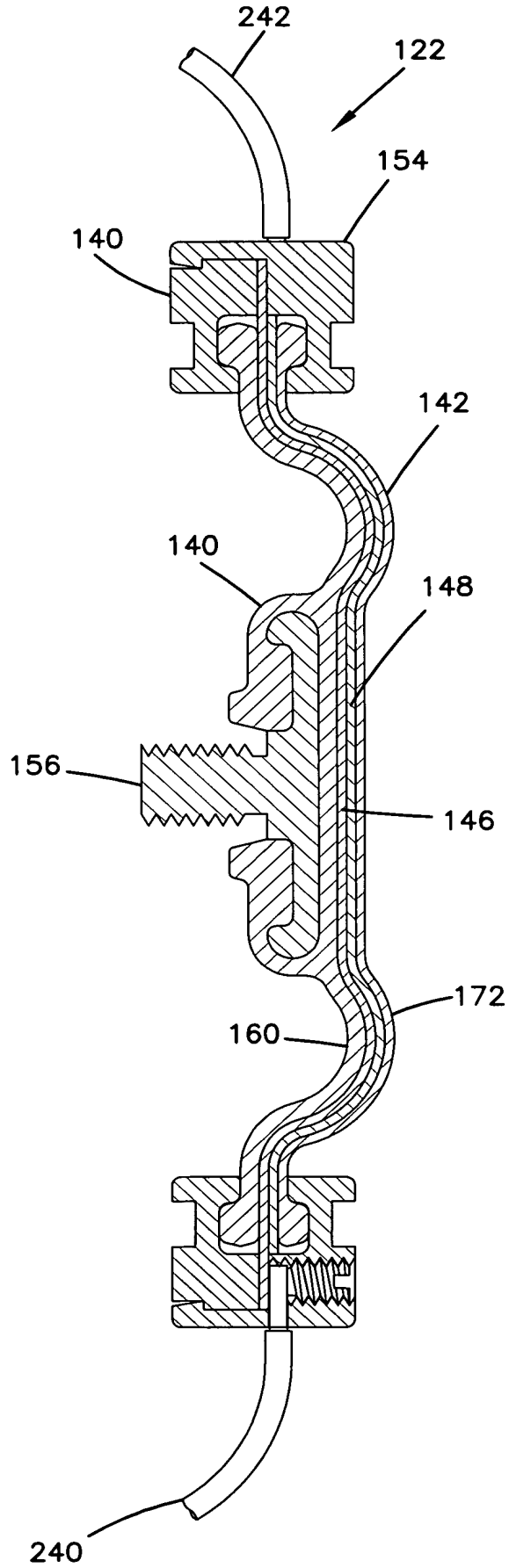


FIG. 7

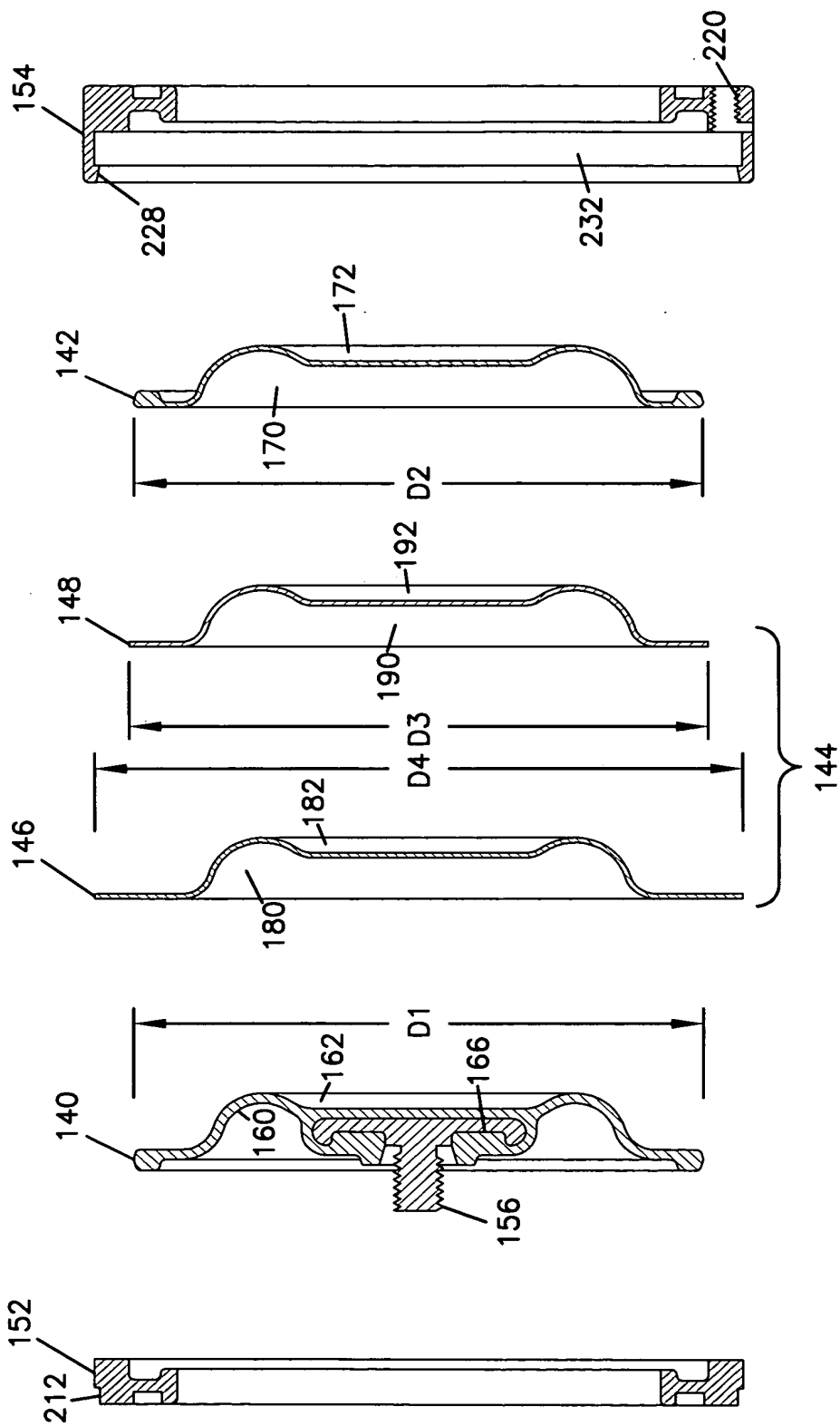
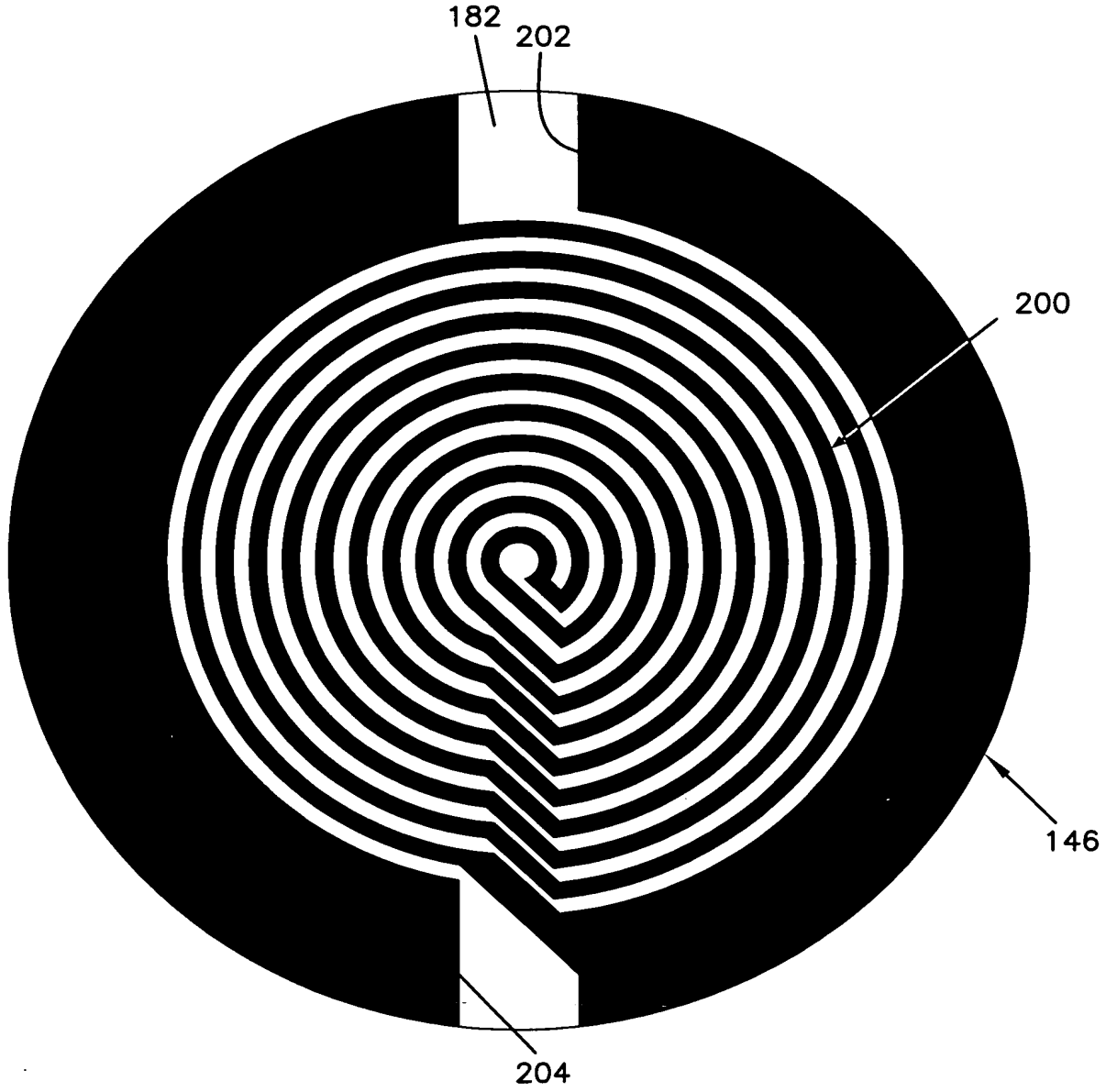
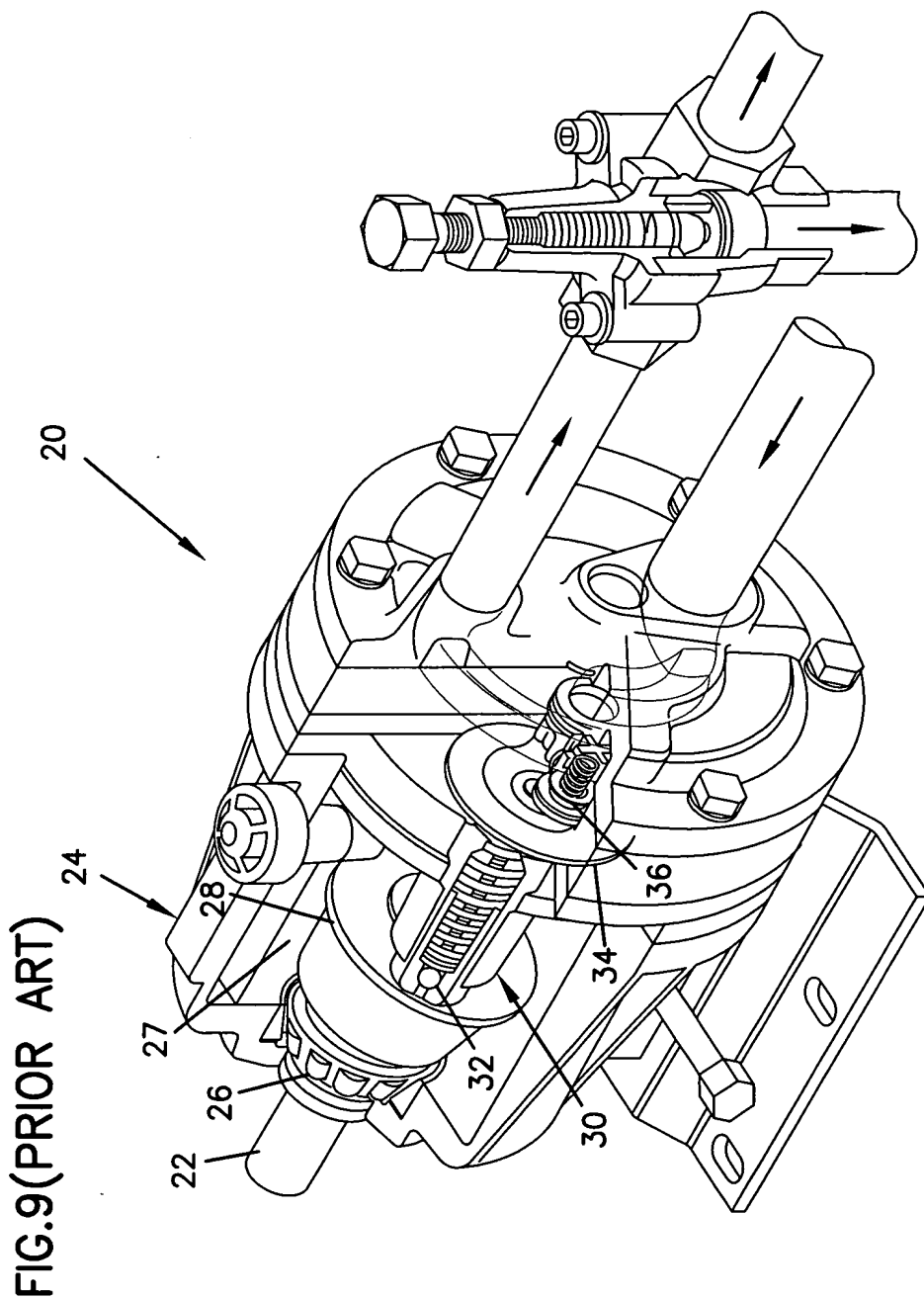


FIG.8







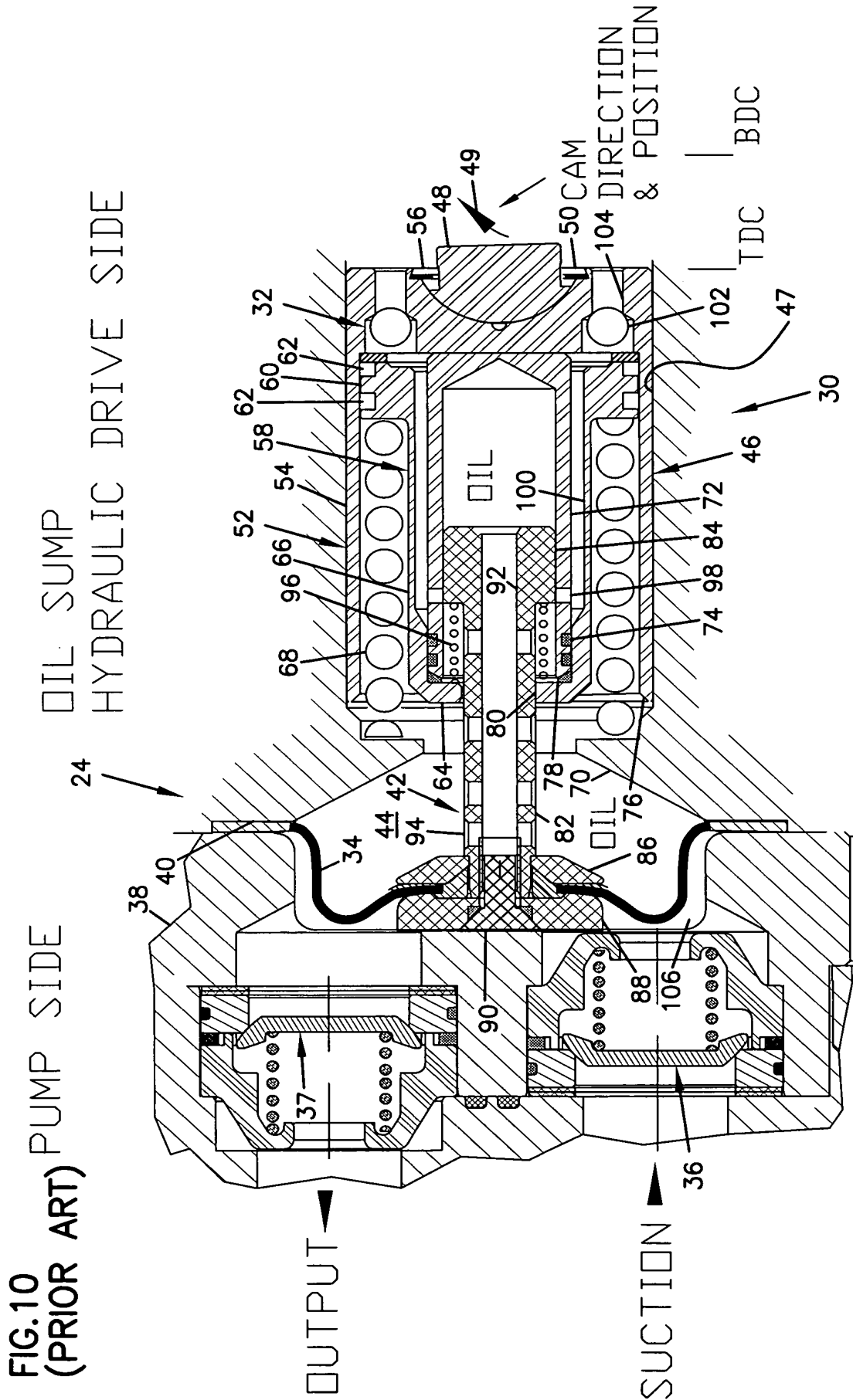


FIG. 11A  
 (PRIOR ART)

SUCTION STROKE  
 INSIDE PSI = FLUID PLUS 3 PSI

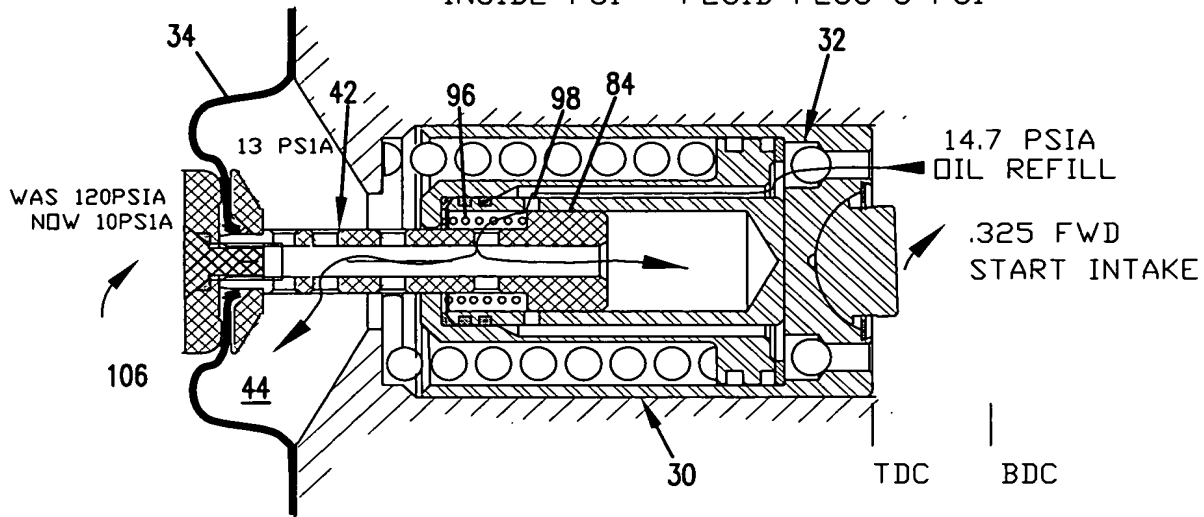


FIG. 11B  
 (PRIOR ART)

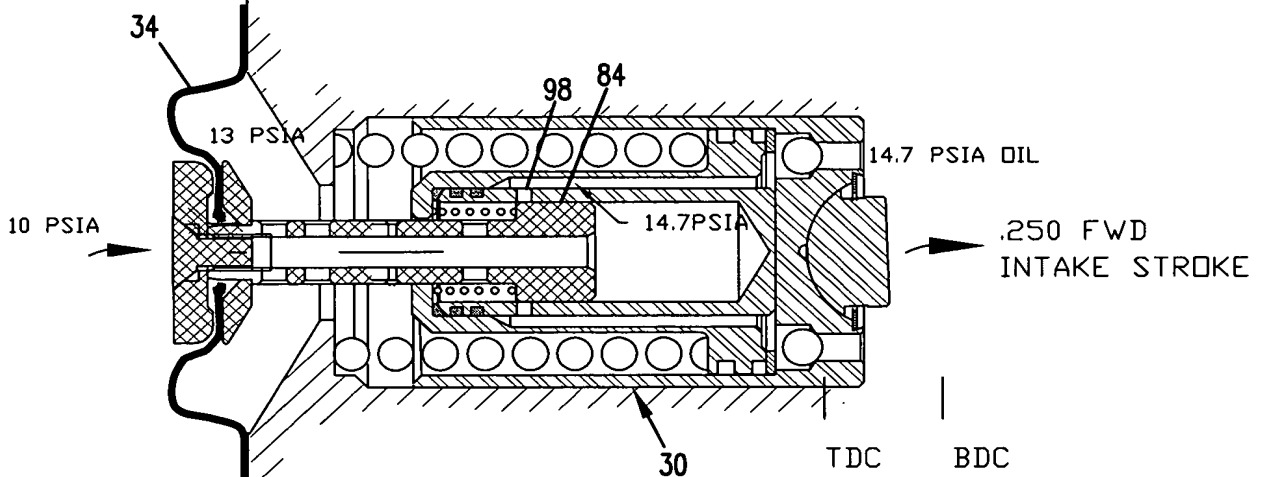


FIG. 11C  
 (PRIOR ART)

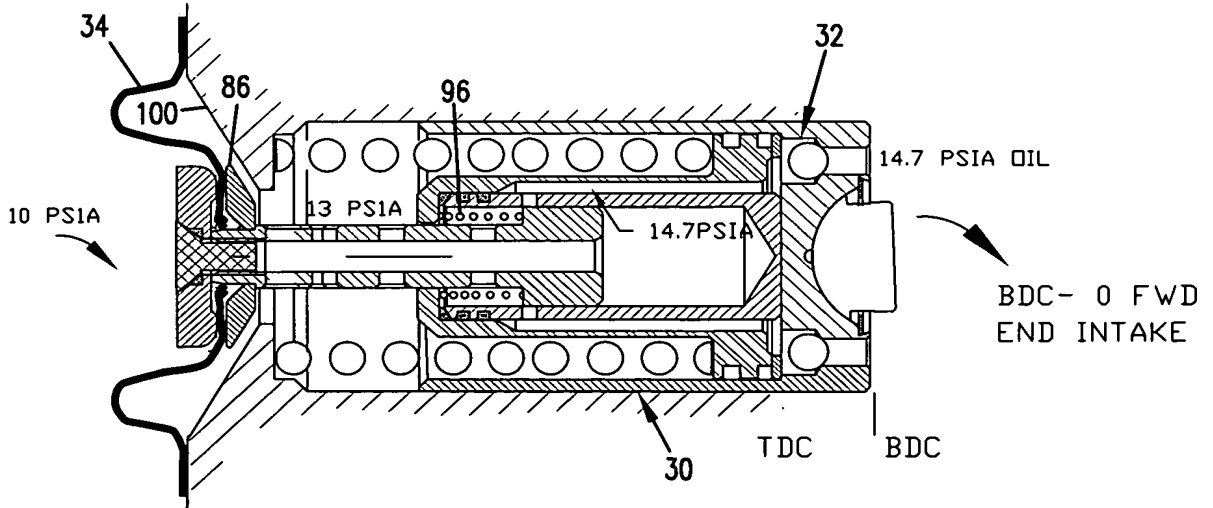


FIG. 11D  
 (PRIOR ART)

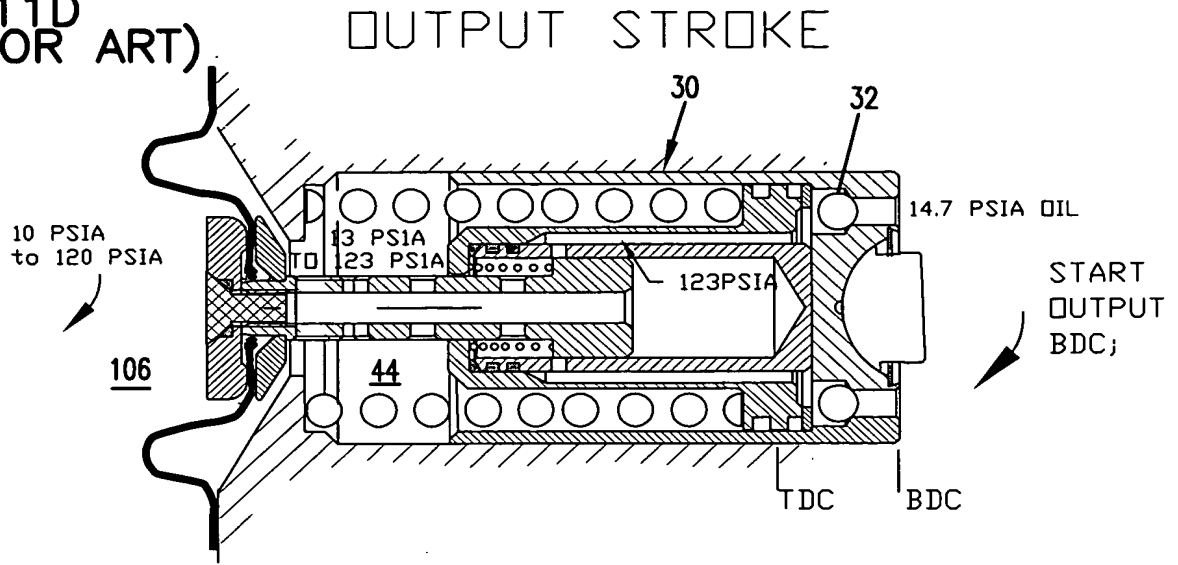


FIG. 11E  
 (PRIOR ART)

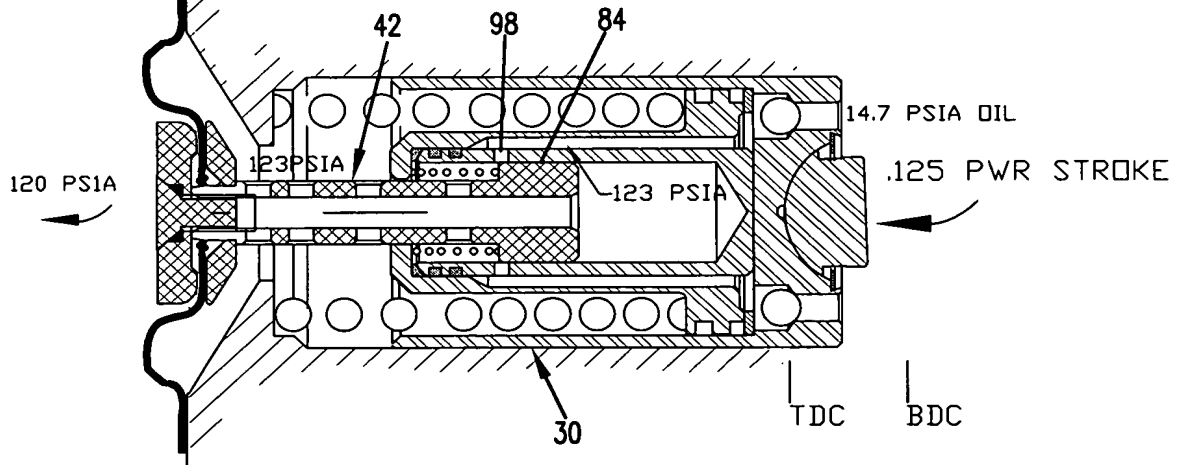


FIG. 11F  
 (PRIOR ART)

